

Installation Instructions

Surface Fixed

Freechimes
Alto/ Soprano
Page 1 of 3



Components:

 M6 Saddle Straps
X2

 M6x20mm
Secure Screw
X4

 M8x40mm
Secure Screw
X4

Metric Conversion:
1260mm/ 49 39/64"
1.5m/ 59"



1. Carefully lay 2 x legs on a level surface and check distance between legs is equal. Line up pre drilled holes in the backboards with the holes in legs and ensure the instrument is aligned square with the legs. Fix in place using M8x40mm screws supplied (see installation guide).

2. Attach Surface Fixing posts to legs (See Surface Fix Post Installation Sheet).

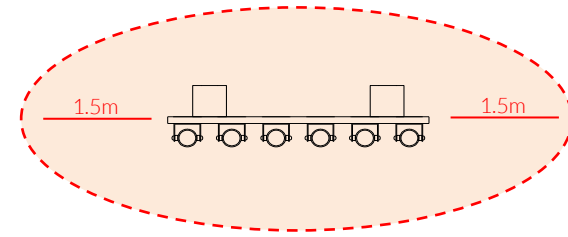
3. Locate Instrument in desired location and mark holes to fix to desired surface.

4. Fix Surface Plate to level surface using Coachscrews, Rawlbolts, chemical anchors or similar as deemed appropriate by Installer.

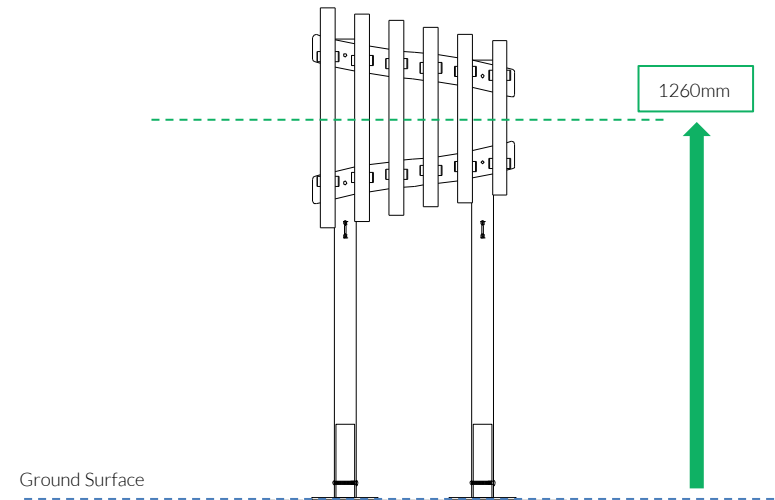
5. Make sure all fixings are covered and secure using cover caps provided.

6. Beaters can be fixed to Steel posts with fixings provided.

Weight of heaviest part 8.35kg (Freechimes)

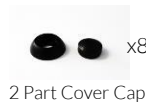


Install Instrument with 1.5m free space (from widest point) around it.



Pair Small Beaters X1


Surface Fix Components:








Spares available from percussionplay.com or from your local distributor

16 Kg

Tools:



TX 30 Driver Bit x1
TX 45 Driver Bit x2

- COMPONENTS LIST:**
-  Saddle Strap X2
 -  M6x20 Pin torx X4
 -  M8 X 40 Pin Torx X4
 -  M10x70 Pin torx X2
 -  M10 Barrel Nut Pin torx X2

Surface Fixed

Freechimes
Alto/ Soprano
Page 2 of 3



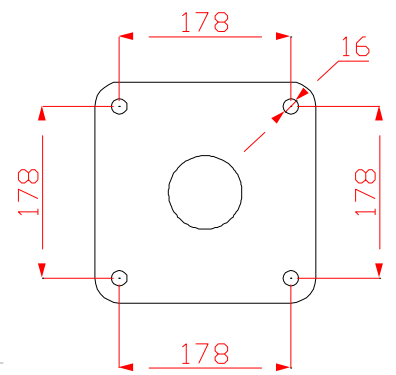
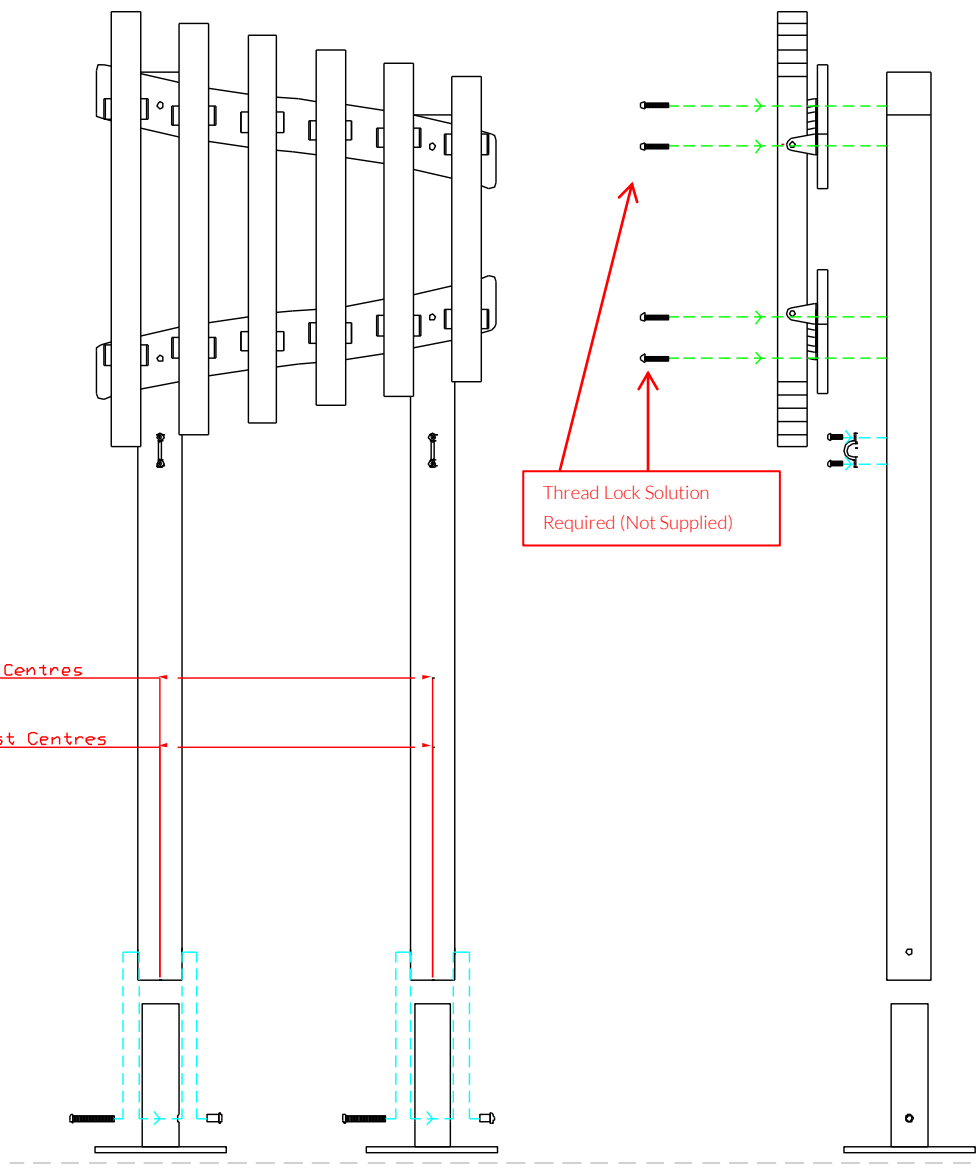
Components:


-  M6 Saddle Straps X2
-  M6x20mm Secure Screw X4
-  M8x40mm Secure Screw X4

Thread Lock Solution
Required (Not Supplied)

709mm Diatonic Post Centres
472mm Pentatonic Post Centres

Thread Lock Solution
Required (Not Supplied)



 Pair Small Beaters X1

Surface Fix Components:

-  x8
-  x2
-  x2



Spares available from
percussionplay.com or from your
local distributor

16 Kg

Tools:

 x2
TX 45 Driver Bit

Surface Fixed

Freechimes
Alto/ Soprano
Page 3 of 3



Components:



M10 Barrel Nut



M10x70 Security Screw



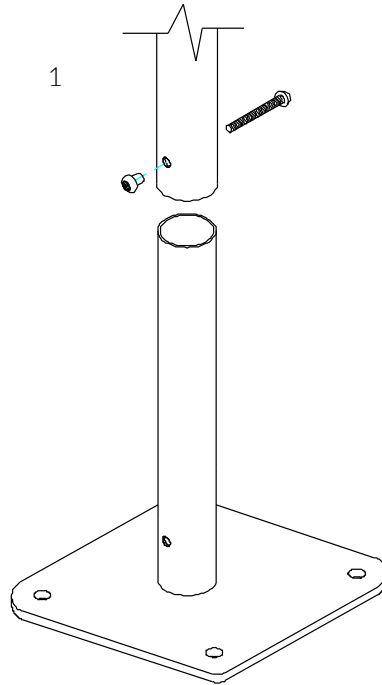
2 Part Cover Cap

Thread Lock Solution
Required (Not Supplied)

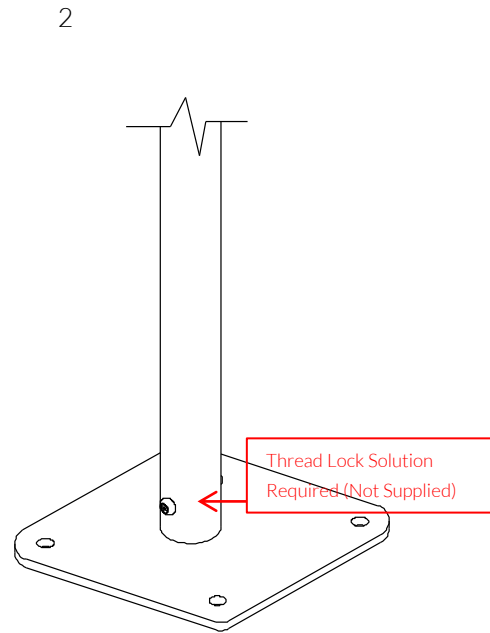


MADE IN
BRITAIN

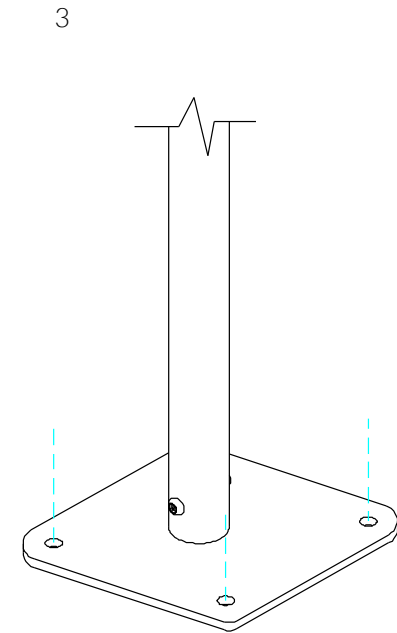
BSEN 1176



1
Locate the Surface fix Plate into the leg of the instrument.



2
Fix instrument to Surface fix plate using M10 bolt and Barrel Nut and use **thread locking solution** to prevent fixings working loose.



3
Fix Surface Plate to the ground surface **Ground Anchors Not provided** cover fixings with caps provided

